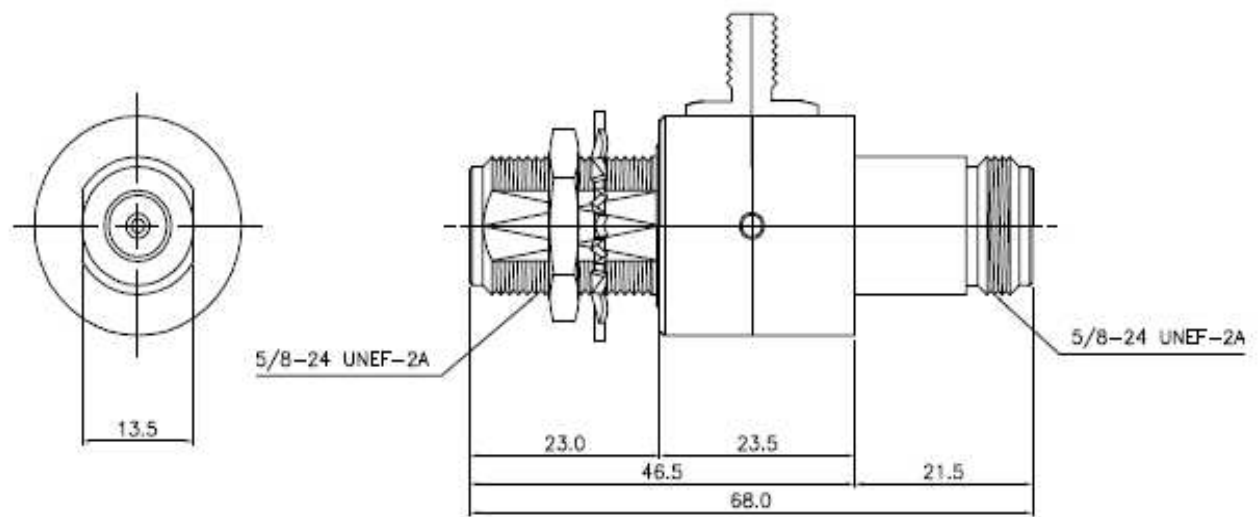


항 목	SPEC
Frequency	DC - 6.0GHz
Impedance	50Ω ± 5Ω
V.S.V.R	1.35 MAX
Insertion loss	0.5 dB MAX
SURGE	2P-23 (250K)

SURGE 2P-23(250K) DATA SHEET	
Dimensions	6.8mm X Ø8.5
Insulation Resistance	DC 100V
DC Breakdown voltage	250V/s
Capacitance	1pF
Impulse Discharge Current 1(8/30µs 5kA)	5 operations
Impulse Discharge Current 2(10/1000µs 200A)	50 operations
Alternating Discharge Current(5Arms 1s at AC 60Hz)	5 operations

Date			
			2019.02.26



11	Surge	1			2P-23
10	O-RING	1	SI	RED	AN-016
9	WASHER	1	Bss	30	
8	NUT	1	BRASS	30	
7	END CAP	1	BRASS	30	
6	INSULATOR (B)	1	PIFK	Whi	
5	INSULATOR (A)	1	PIFK	Whi	
4	PIN (B)	1	BRASS	Au	
3	PIN (A)	1	BeCu	AN	
2	BODY (B)	1	BRASS	30	
1	BODY (A)	1	BRASS	30	
NO.	PART NAME	QTY	MATERIAL	FINISH	REMARK



CompoTEK



CompoTEK

SPECIFICATIONS

1. Mechanical

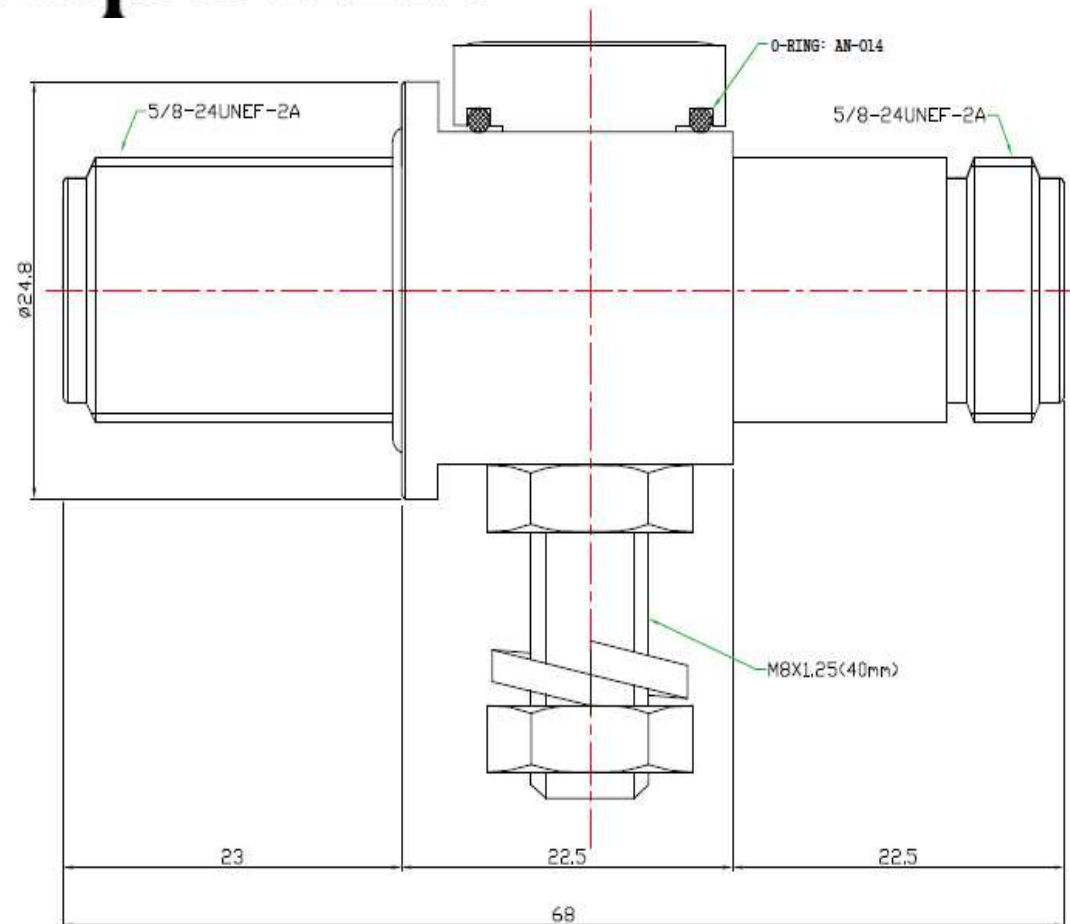
- Mating life : 500 Min.
- Panel mounting torque : 10+2N.m
- Materials and Finish
 - * Center Contact : Beryllium Copper/Silver plate
 - * Body : Brass/SUCO plate
 - * Insulator : PTFE Teflon
 - * Gasket : Silicon Rubber
 - * Fixing bolt(Include Nut & Washer) : Stainless Steel
 - * Mounting Nut & Washer : Stainless Steel
(Manufacturer of Nut : JEONJAPIS)
(Part No. of Nut : SUS304)

2. Electrical

- Impedance : 50ohm
- Frequency range : DC~2.5GHz
- Return loss : typ. : 1GHz - 30dB; 2.5GHz - 23dB
- Insertion Loss : typ. : 1GHz < 0.1dB ; 2.5GHz < 0.2dB
- Spark-over voltage : 230V
- Surge life : 10x3kV(1.2x50 μ s)
5X20KA(8/20 μ s)
10X20A 1sec @ 60Hz
- Insulation resistance : 5G Ω Min.
- Contact resistance :
 - center contact : 2m Ω Max.
 - outer contact : 0.5m Ω Max.

3. Environmental

- Operating Temperature : -30°~100°
- Water proof level : IP 67(IEC 60529)
- Salt spray test : MIL-STD-202 / 5%, 600hours



N Jack Bulkhead to N Plug

Lightning Arrestor

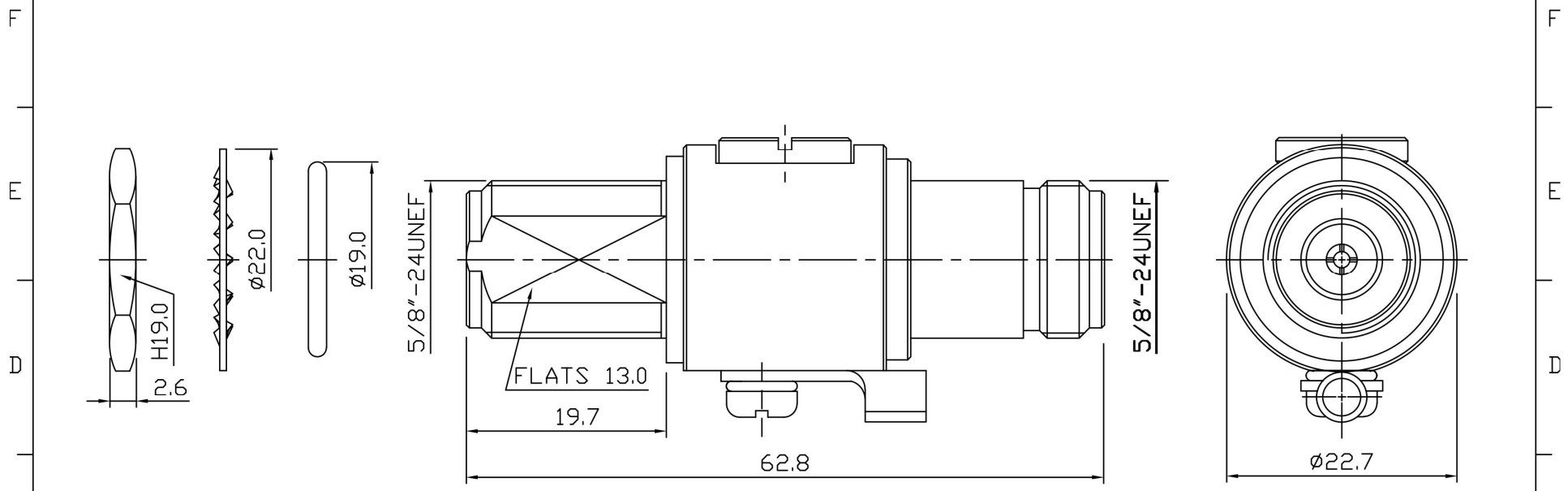
gas tube voltage 230V 150V and 90V (optional)



CompoTEK

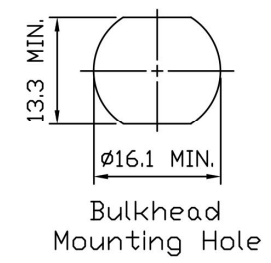


REVISION		
ISS	ZONE	DESCRIPTION



NOTE:

- 1.Impedance:50Ω
- 2.Frequency Range : DC~6 GHz
- 3.V.S.W.R. :1.3 Max
- 4.Insertion Loss: -0.4 dB MAX
- 5.Gas Tube DC Spark Over Voltage :230V
- 6.Gas Tube Impluse Discharge Current (Wave 8/20 uS)
10 Times (5 Times Each Polarity) : 10KA
- 7.Interface in Accordance With: MIL-STD-348A
- 8.Durability:500 Cycles Min
- 9.ROHS Compliance.



16	SCREW A	IRON	NICKEL	1	M-0248
15	WASHER	STAINLESS STEEL	NONE	1	M-0330
14	WASHER	BRASS	TIN	1	M-0285
13	BODY C	BRASS	NICKEL	1	B-0006
12	NUT	BRASS	NICKEL	1	D-0028
11	GAS TUBE	NONE	NONE	1	Q-0019
10	BARREL A	BRASS	NICKEL	1	E-0007
9	O-RING	SILICONE	RED	1	R-0060
8	BODY A	BRASS	NICKEL	1	B-0040
7	GASKET	SILICONE	NONE	2	R-0033
6	INSULATOR	PTFE	NONE	2	T-0022
5	CENTER CONTACT A	BRASS	GOLD	1	C-0009
4	BODY B	BRASS	NICKEL	1	B-0034
3	GASKET	SILICONE	NONE	1	R-0006
2	WASHER	BRASS	NICKEL	1	G-0005
1	NUT	BRASS	NICKEL	1	D-0005
NO.	DESCRIPTION	MATERIAL	FINISH	Q'TY	DRAWN NO.

TOLERANCES	
DIMENSIONS ARE IN MILLIMETER	
UNLESS OTHERWISE SPECIFIED	
.X	±0.2
.XX	±0.1
.XXX	±0.05
ANGLES	±5°

TITLE	N JACK BULKHEAD TO N JACK LIGHTNING PROTECTOR
PART NO.	10803001A
DRAWN NO.	
FILE PATH:	



1	2	3	4	5	6	7	8
---	---	---	---	---	---	---	---



CompoTEK



PCT-TSX-NFF

RF Coaxial Lightning Protector

DC short, bi-directional, coaxial RF lightning protector, operating between 698 MHz and 2.7 GHz.

Features

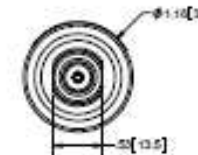
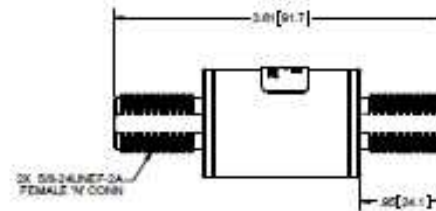
- Bi-directional operation
- High surge current capability
- Low let-through voltage and throughput energy
- DC shorted filter design, no DC continuity between center pins
- Ideal use for applications where DC is not required on the coaxial cable
- Fully weatherized housing
- Elongated female connector allows for mounting through a 1/4" bulkhead or grounding bar
- Multi-strike capability

Standards and Certificates

- IEC 60529 IP67
- Bellcore # TA-NWT-00487
- Procedure 4.11, wind driven
- RoHS compliant

Technical Data

Protected Side Connector: N Female Bulkhead
Surge Side Connector: N Female Bulkhead
RF Power: 750 W (at 50°C)



Mechanical Specifications

Model	Frequency Range	VSWR	Insertion Loss
PCT-TSX-NFF	698 MHz to 2.7 GHz	$\leq 1.1:1$	≤ 0.1 dB